

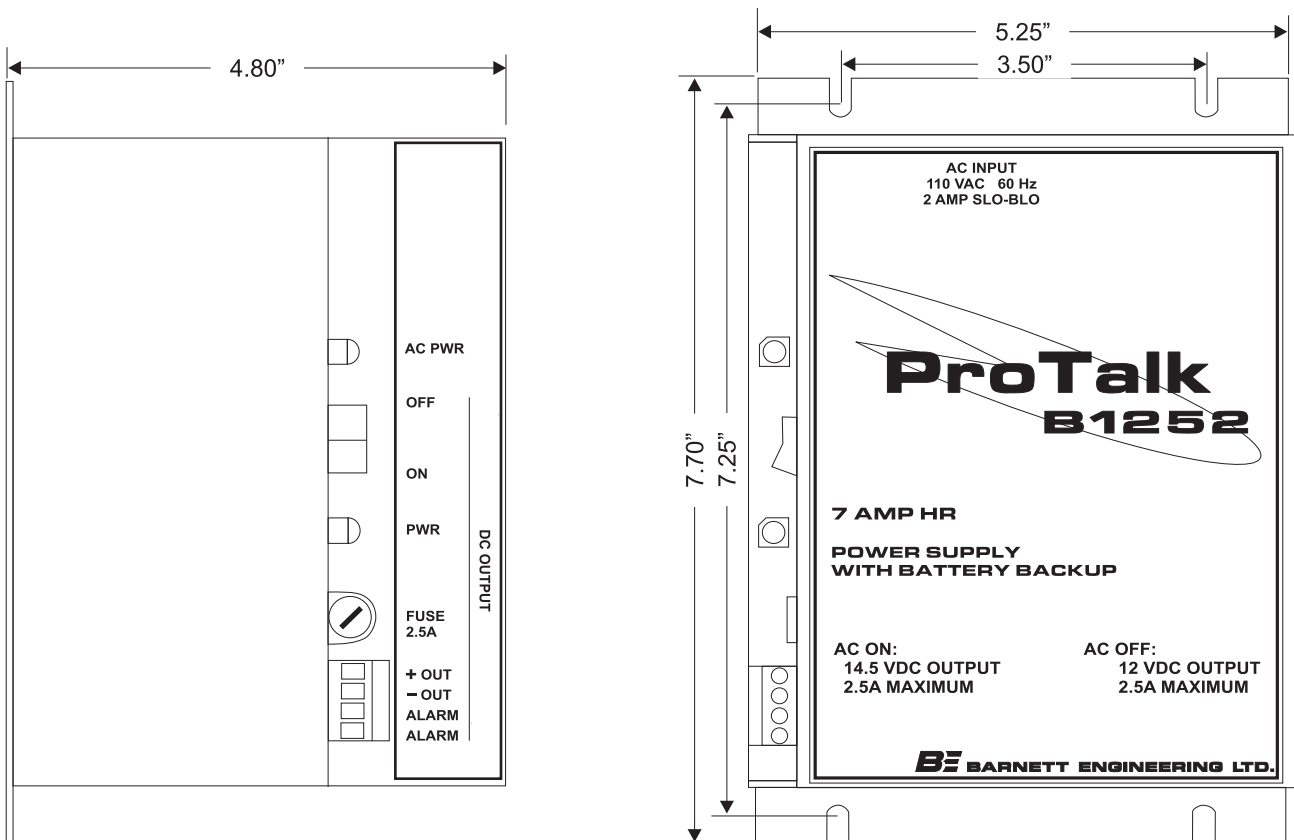
## General

The B1252 Power Supply provides DC power with battery backup for the Barnett Engineering ProTalk Cv2 and the ProTalk LINK modules. It can also be used with other products that require more current than the Option 004 Power Supply can deliver. The B1252 operates from 120 VAC and has an integral battery charger and automatic transfer to the battery when the primary power fails. AC failure signals are available for connection to the alarm reporting equipment. A low battery disconnect removes the load if the battery voltage drops below 9.75 Volts.

## Specifications

Input Voltage:	120 VAC, fused AC entry with space fuse (.5A)
Output Voltage:	[AC on] 15 VDC no load, 14.5 VDC full load [AC off] 12 VDC nominal depending on battery charge level
Output Current:	2.5 A maximum, fused at 2.5A
DC/Alarm Connections:	Plug-in screw terminal block
Output Switch:	On-Off rocker switch controls output DC power
AC Fail Alarm Outputs:	Form C relay, .5 A contacts, common connected to OUT-
Battery Capacity:	7 A-Hrs
Dimensions:	7.7" wide x 5.25" deep x 4.8" high
Operating Temperature:	-30°C to +50°C
Enclosure:	Steel, powder coat paint
Indicators:	AC Power indicator (green) DC Power indicator (green)
Low Battery Disconnect:	9.75 VDC

## Dimensions:



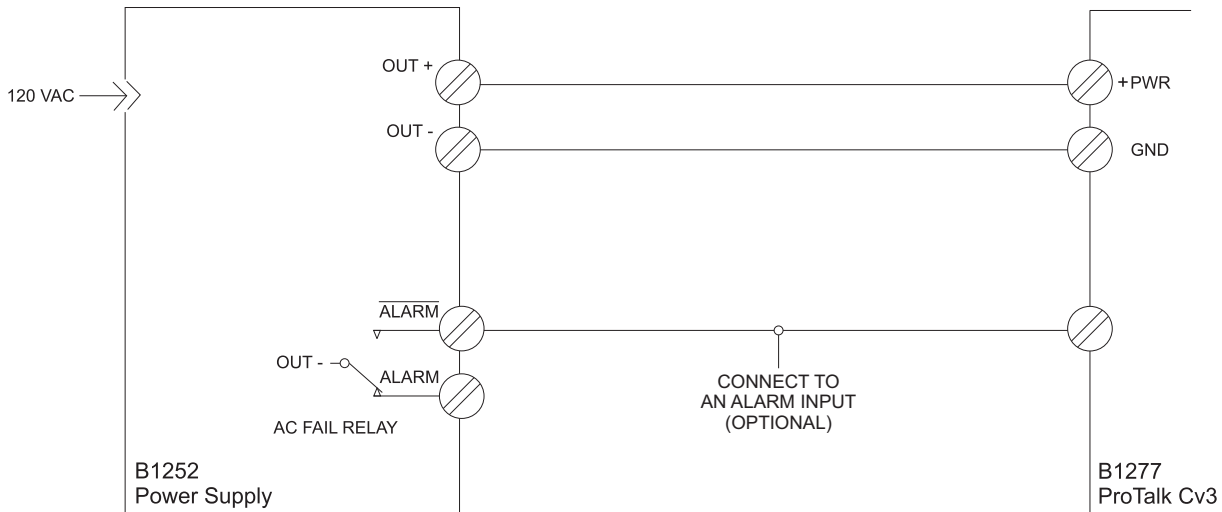
### Connection with a B1272 Cv3

Connect the B1252 Power Supply to the ProTalk Cv3 as shown in Figure 1.

Plug the AC cord into the B1252; the AC ON indicator will light.

Set the DC OUTPUT switch to the ON position; the DC ON indicator will light.

The B1252 will automatically switch to the battery supply when the AC power fails.



### Connection with a B1285 LINK

Connect the B1252 Power Supply to the ProTalk LINK as shown in Figure 2.

Plug the AC cord into the B1252; the AC ON indicator will light.

Set the DC OUTPUT switch to the ON position; the DC ON indicator will light.

The B1252 will automatically switch to the battery supply when the AC power fails.

