

# Option 004 Battery Backup Installation Guide

The Option 004 provides approximately 12 hours of standby operation for a ProTalk B1290 Alarm Reporting Unit.

## Specifications

Input Voltage: 120 VAC through the AC adapter supplied with the unit.  
Output Voltage: 13.8 VDC  
Output Current: 400 mA maximum  
Battery capacity: 1.2 A-Hr (2.4 A-Hr with optional second battery)  
Dimensions: 6.625" wide, 6.125" long, 1.75" high  
Operating Temperature: -20°C to +60°C

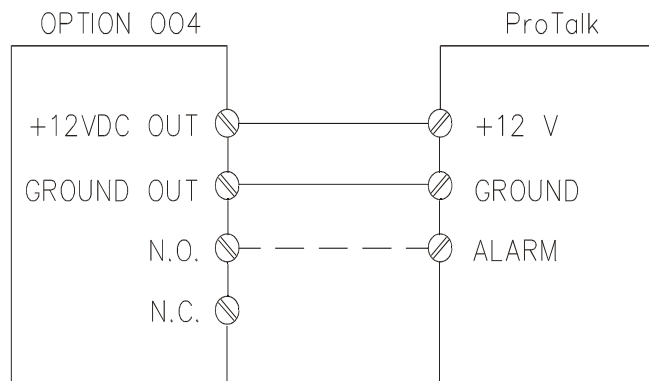
## Installation

Connect the ProTalk unit to the Option 004 supply as shown in Figure 1.

Plug the AC adapter into the Option 004 and then into a 120 VAC outlet. The AC ON indicator will light.

Slide the ON/OFF switch to the ON position. This will light the DC ON indicator and apply power to the ProTalk.

When AC power is lost, the unit will immediately switch to its internal battery to allow uninterrupted operation of the ProTalk.



CONNECT THE ALARM TO N.O. IF THE PROTALK IS CONFIGURED FOR N.C. ALARMS  
CONNECT THE ALARM TO N.C. IF THE PROTALK IS CONFIGURED FOR N.O. ALARMS

**Figure 1 Connection Diagram**

## Using the AC Power Fail Alarm

The AC Power Fail Alarm indicates when the 120 VAC power is off and the ProTalk is operating on the battery backup

Connect either the NO (normally open) or NC (normally closed) output to an alarm input on the ProTalk. If the Protalk input is configured for NO inputs, connect the NC alarm line or if it is configured for NC inputs, connect the NO alarm line.